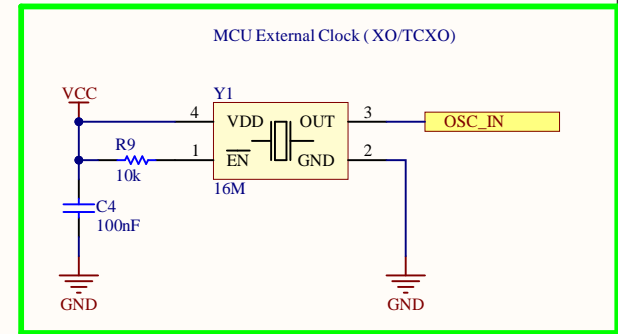
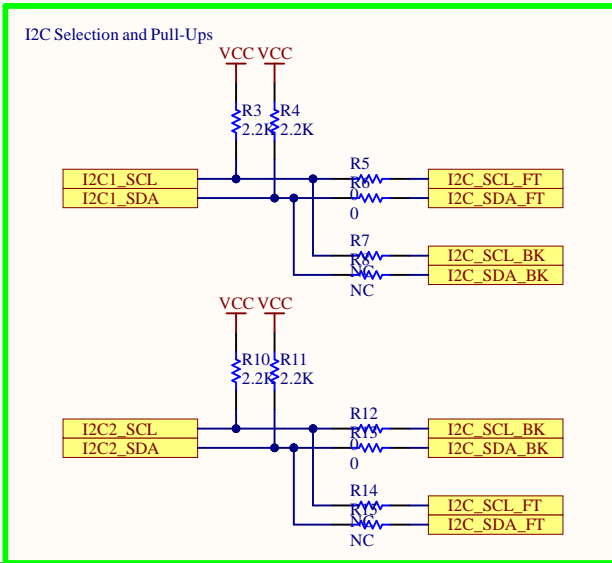
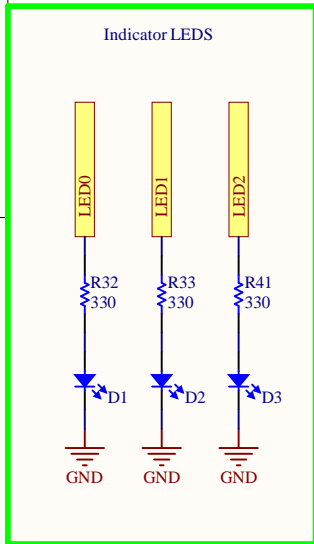
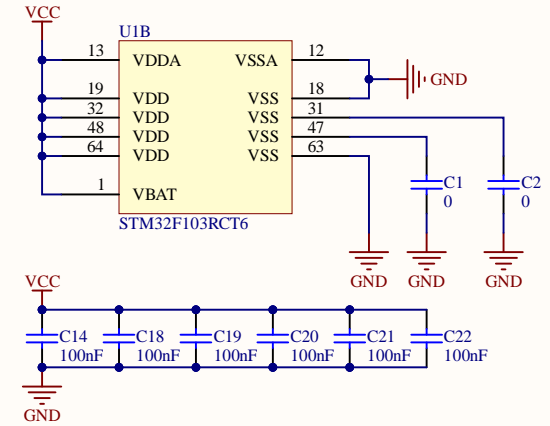
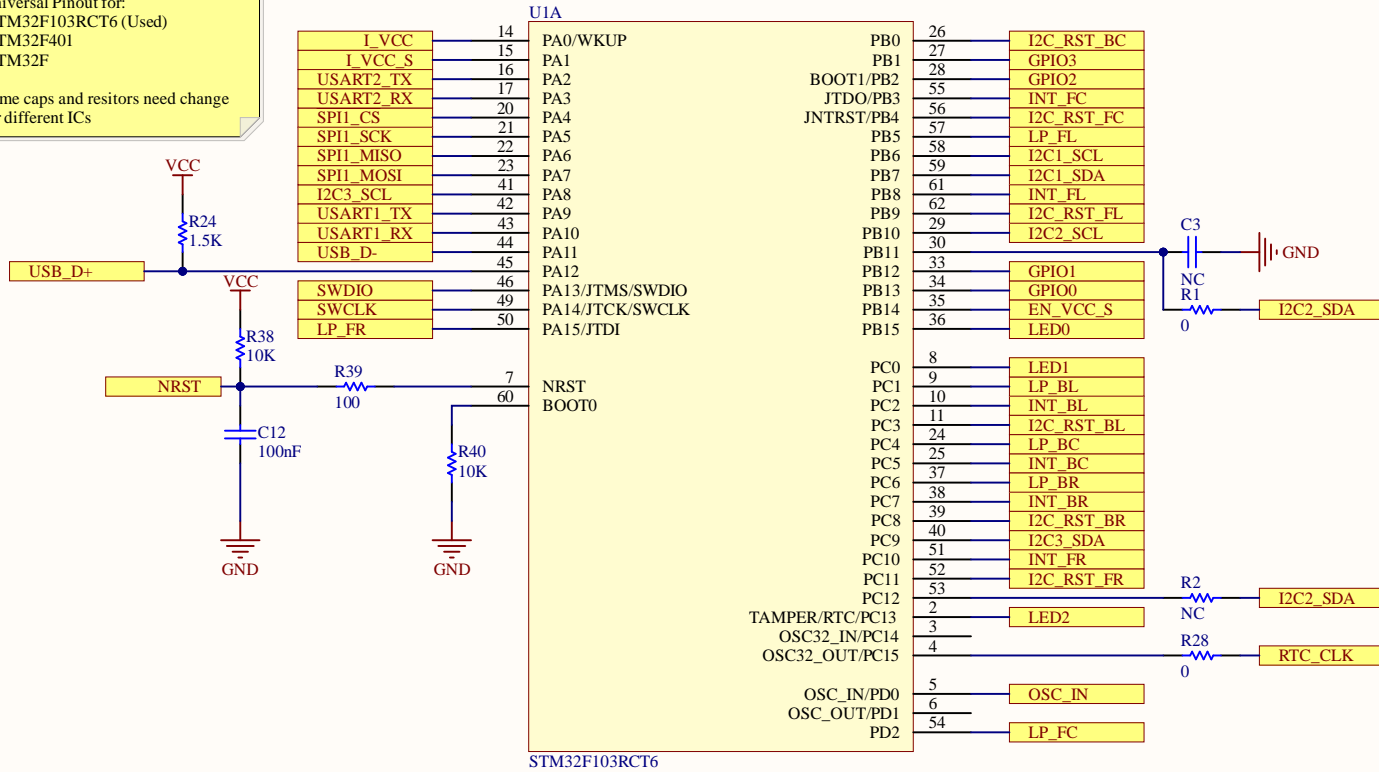


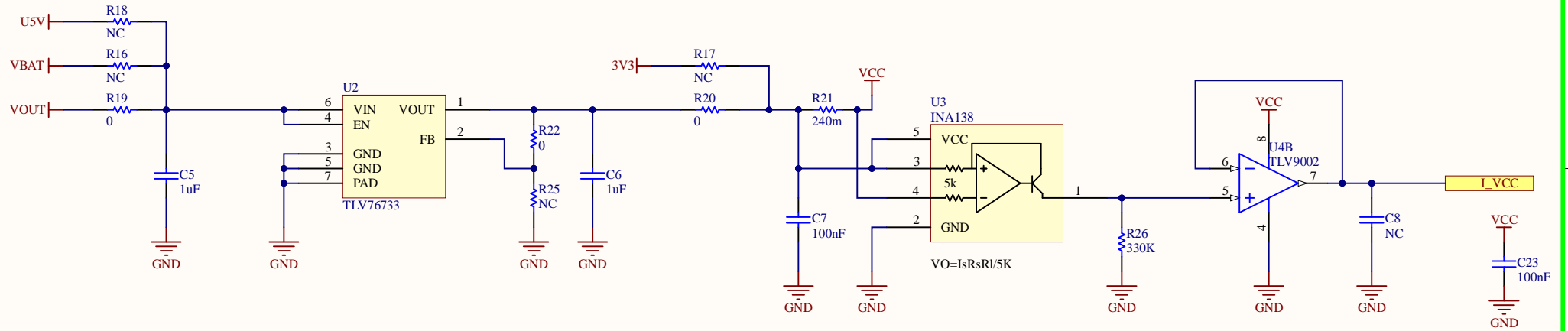
Universal Pinout for:
 -STM32F103RCT6 (Used)
 -STM32F401
 -STM32F

Some caps and resitors need change for different ICs

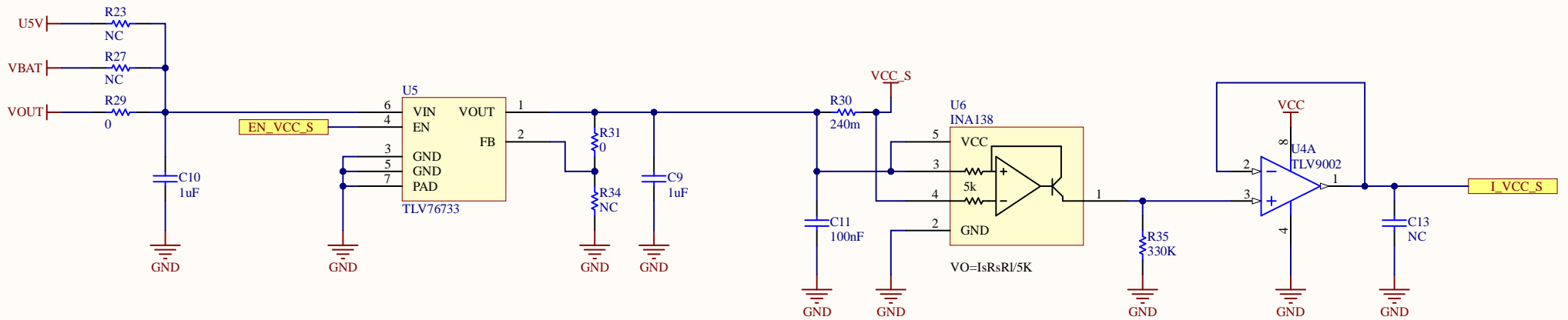


Title LiDAR Main Board			
Size: A4	Number: 1	Revision: V1	
Date: 12/02/2022	Time: 10:52:36	Sheet 1 of 4	

Power Supply for the MCU

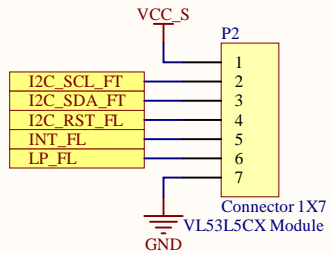


Power Supply for the LiDAR Sensor Modules

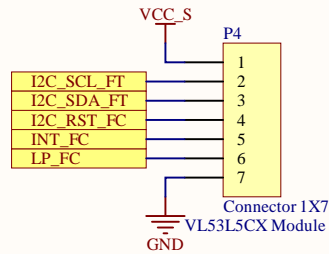


Title LiDAR Main Board			
Size: A4	Number: 2	Revision: V1	
Date: 12/02/2022	Time: 10:52:36	Sheet 2 of 4	

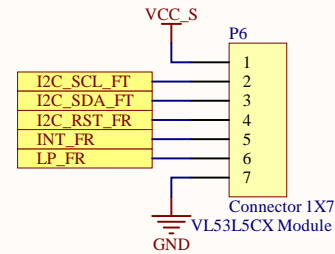
LiDAR Module Front Left



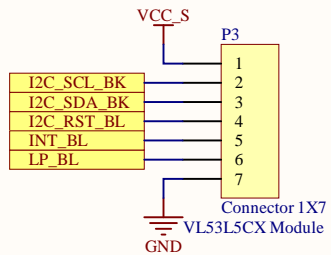
LiDAR Module Front Center



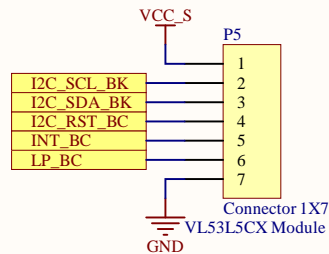
LiDAR Module Front Right



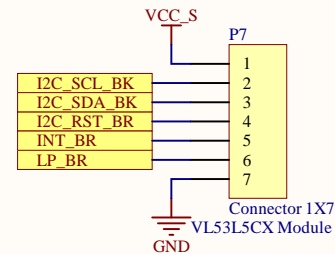
LiDAR Module Back Left



LiDAR Module Back Center



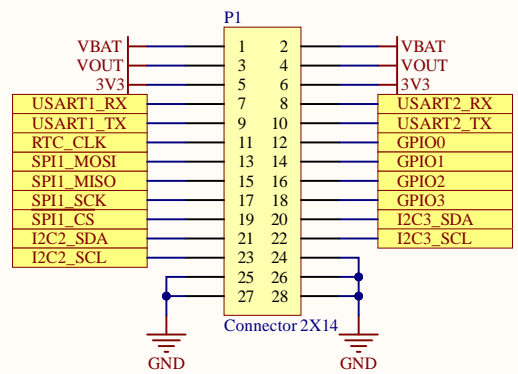
LiDAR Module Back Right



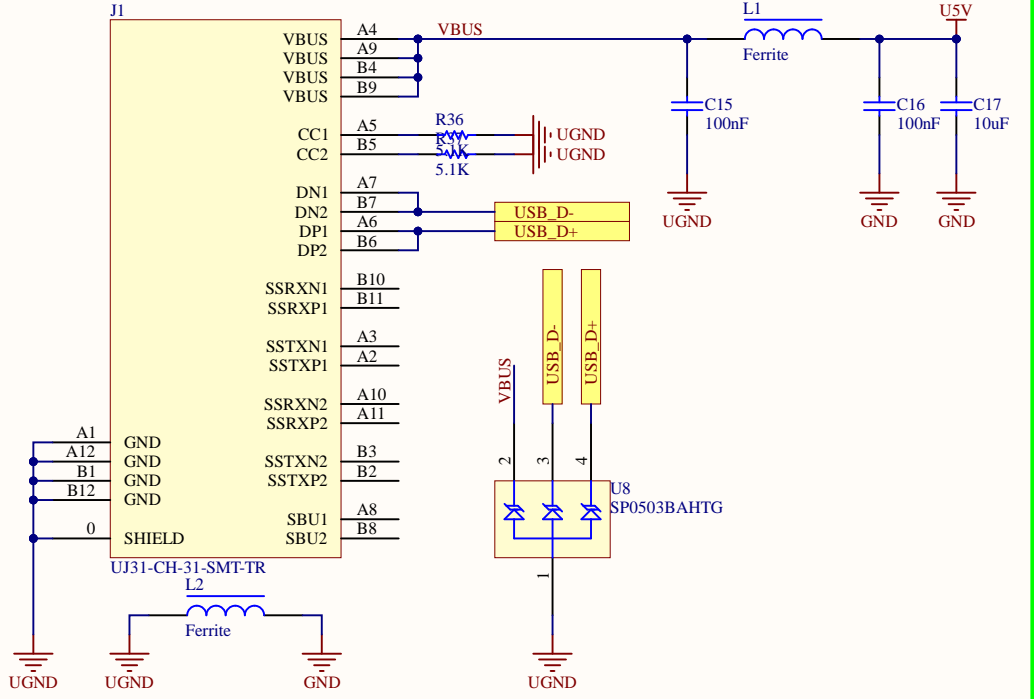
Title LiDAR Main Board		
Size: A4	Number: 3	Revision: V1
Date: 12/02/2022	Time: 10:52:36	Sheet 3 of 4



Robot Backbone Interface



USB Interface



ST-Link

